

FLORIT DOUBLE

PRODUCE ISLAND

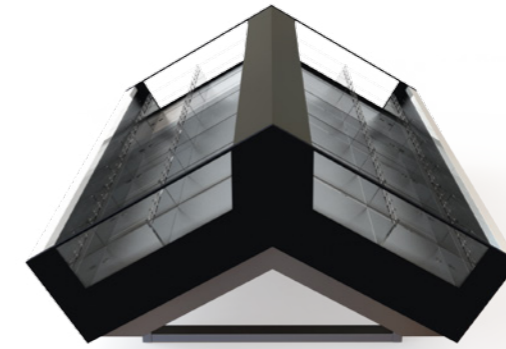


Kaplanlar



FLORIT DOUBLE

PRODUCE ISLAND



Benefits & Specifications:

- High product visibility
- Easy access and ergonomic design
- Increased display area
- Simplified maintenance
- Delivers a high standard of performance
- Stepped and/or Sloping shelf for easy view and ergonomic access

Dimensions (mm):

Height : 1280
 Length : 1250 / 1875 / 2500 / 3750
 Depth : 2310

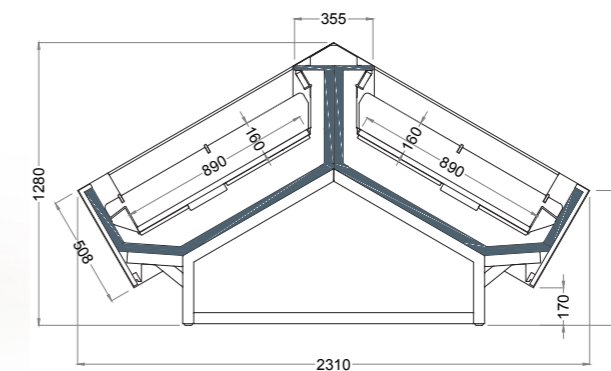
| SYSTEM | OPERATING TEMP. | REFRIGERANT |
|--------|-----------------|---------------------------------------|
| REMOTE | +2/ +4 | HFC / HFO * CO ₂ (R744) |

* R134A / R404A / R407A / R407F / R407C / R410A / R448A / R449A



TECHNICAL DATA

FRUIT & VEGETABLE



FLORIT DOUBLE 1280 / 2310 / 610

| | | | | |
|-----------------------------|------|------|------|------|
| Length mm | 1250 | 1875 | 2500 | 3750 |
| Display Area m ² | 2,23 | 3,34 | 4,45 | 6,68 |

YOUR WORLD OUR WORLD